



OUR INNOVATION MOVES



Rexnord Extreme Performance Leaf Chain Catalog

Metric



Download the most up-to-date version
at rexnord.com/documentation

Rexord Extreme Performance Leaf Chain for the Most Demanding Applications





Introduction to Rexnord Extreme Performance Portfolio

Increase market demands for extreme performance chain driven Rexnord to develop a product portfolio suitable for heavy loading capacities, high fatigue resistance and higher corrosion resistance:

- RexAthletic Leaf Chain page 4
- RexHiPro Leaf Chain page 7
- RexWM Leaf Chain page 10
- RexProX Leaf Chain page 13
- Rexnord RexOil page 17
- Dimensions for Chain Anchor and Connecting Pins page 18

Rexnord Extreme Performance Leaf Chain will deliver:

- Improved wear resistance
- Increased chain joint loading capability
- Increased corrosion protection
- Extended service life time
- Improved dynamic and static safety





Rexnord RexAthletic Leaf Chain

Extreme Performance

Rexnord® RexAthletic® low-maintenance Leaf Chain is ideal in situations with limited maintenance and lubrication possibilities. The shot-peened chain components and the special long-life lubricant improve the wear and fatigue resistance of the chain.

Long wear lifetime

The special long-life lubricant optimized by Rexnord extends the lubrication intervals significantly. This results in less downtime and a longer service life of the chain.

High tensile strength

With its high tensile strength the Rexnord RexAthletic Leaf Chain is ideal for heavy loading applications in difficult conditions and in closed systems.

Good corrosion protection

Even with minimum lubrication and under heavy loads the Rexnord RexAthletic Leaf Chain has a high wear resistance and a long wear life.

Features

- Very good tribological characteristics
- Improve protection against stiff joints / links
- Dimensions in accordance with ISO and ANSI
- RexAthletic version available on request for all leaf chains in the AL Light, BL Heavy Series American Standard and F Series European Standard in accordance with ISO 4347

Traceability with silver label

The silver colored label outer plates have a batch number for full and consistent traceability.

CE marking

All Rexnord RexAthletic Leaf Chains have the CE marking because they fulfill the requirements of Machine Directive 2006/42/EC.

Applications:

- Material handling
- Forklift trucks
- Telescopic lift systems
- Machine tools

Advantages

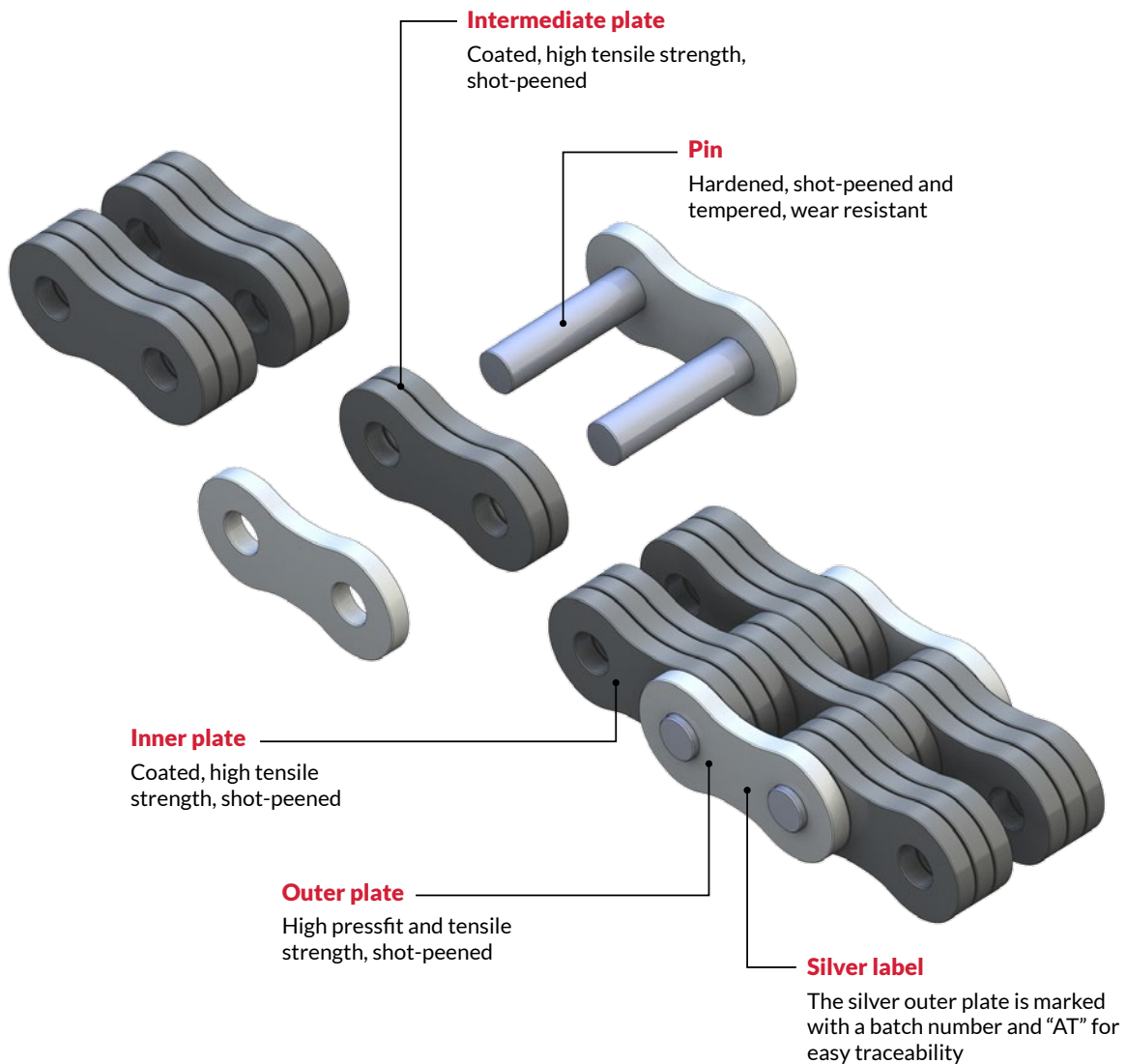
- Reduced need for maintenance and longer lubrication intervals
- High wear resistance even with minimum lubrication
- Long service life under heavy loads
- Batch number on silver colored plate for traceability
- Eco-friendly: reduced lubricant requirement
- Compatible replacement for all standard chains

Lubrication

- Special long-life lubricant optimized by Rexnord
- Operating temperature from -15°C to +75°C
- No dripping of lubricant
- Water-resistant

Rexnord RexAthletic Leaf Chain

Extreme Performance



Loading capacity

- Special calibrated plate holes
- Shot-peened chain components
- High pre-loading



Improved wear resistance

- Significantly longer relubrication intervals
- Special long-life lubricant optimized by Rexnord
- Longer service life time
- High operating reliability



Eco-friendly

- No heavy metals; Teflon- and silicone-free
- Environmental management system conforms to DIN EN ISO 14001
- Free of chromium VI

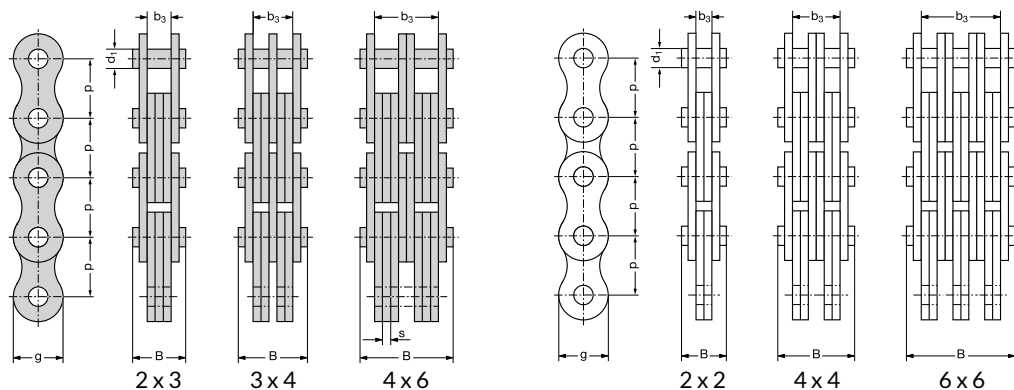
CE Rexnord fulfils the requirements of Machine Directive 2006/42/EC

Rexnord RexAthletic Leaf Chain is available in F Series European Standard, BL Heavy and AL Light Series American Standard. In the following table only the BL Heavy Series is shown. For F and AL Series, please contact Rexnord.

BL Heavy Series American Standard – Rexnord RexAthletic Leaf Chain ISO 4347

Chain No.*	ISO chain number	Pitch		Lacing	Pin diameter		Plate depth	Plate thickness	Length over 100 pitches	Pin length	Width between outer plates	Bearing area	Required minimum tensile strength DIN / ISO	Rexnord minimum tensile strength	Fatigue strength	Weight								
		p			d ₁ max.	g max.											s	B max.	b ₃ min.	A	FU	FB	FD	q
		Inch	mm																					
BL 523	LH 1023			2x3						15.0	7.4	0.43	33 400	40 000	10 500	1.1								
BL 534	LH 1034			3x4						20.0	12.3	0.57	48 900	60 000	11 500	1.5								
BL 544	LH 1044	0.625	15.875	4x4	5.94	14.6	2.4	1596		22.5	14.7	0.57	66 700	80 000	12 000	1.8								
BL 546	LH 1046			4x6						27.4	19.6	0.86	66 700	80 000	14 000	2.2								
BL 566	LH 1066			6x6						32.3	24.5	0.86	100 100	120 000	15 200	2.6								
BL 588	LH 1088			8x8						42.2	34.3	1.14	133 600	160 000	17 000	3.4								
BL 622	LH 1222			2x2						16.6	6.4	0.51	48 900	62 000	13 000	1.5								
BL 623	LH 1223			2x3						20.0	9.6	0.74	48 900	62 000	16 300	1.8								
BL 634	LH 1234	0.75	19.05	3x4	7.92	17.9	3.1	1905		26.4	16.0	0.98	75 600	93 000	17 400	2.5								
BL 644	LH 1244			4x4						29.5	19.2	0.98	97 900	124 000	19 000	2.9								
BL 646	LH 1246			4x6						35.9	25.6	1.47	97 900	124 000	21 500	3.6								
BL 666	LH 1266			6x6						42.5	32.0*	1.47	146 800	186 000	24 500	4.3								
BL 822	LH 1622			2x2						20.6	8.2	0.74	84 500	110 000	22 000	2.4								
BL 823	LH 1623			2x3						24.8	12.3	1.14	84 500	110 000	30 000	3.0								
BL 834	LH 1634			3x4						33.1	20.5	1.52	129 000	165 000	32 000	4.2								
BL 844	LH 1644	1.00	25.4	4x4	9.53	23.6	4.0	2540		37.3	24.7	1.52	169 000	220 000	33 500	4.8								
BL 846	LH 1646			4x6						45.7	33.0	2.29	169 000	220 000	38 500	6.0								
BL 866	LH 1666			6x6						54.1	41.3	2.29	253 600	330 000	41 850	7.2								
BL 888	LH 1688			8x8						70.8	57.9	2.97	338 000	440 000	45 000	9.6								
BL 1023	LH 2023			2x3						28.9	14.4	1.56	115 600	164 000	47 500	4.4								
BL 1034	LH 2034			3x4						38.8	24.1	2.09	182 400	246 000	50 000	6.2								
BL 1044	LH 2044	1.25	31.75	4x4	11.10	29.2	4.7	3179		43.7	29.0	2.09	231 200	328 000	55 000	7.0								
BL 1046	LH 2046			4x6						53.5	38.4*	3.12	231 200	328 000	62 000	8.7								
BL 1066	LH 2066			6x6						63.5	48.6*	3.12	347 000	492 000	69 000	10.5								
BL 1088	LH 2088			8x8						83.2	68.2*	4.17	462 400	656 000	74 000	13.9								
BL 1223	LH 2423			2x3						33.6	16.8	2.1	151 200	200 000	64 000	6.0								
BL 1234	LH 2434			3x4						45.5	28.0	2.8	224 600	300 000	68 000	8.3								
BL 1244	LH 2444	1.50	38.1	3x4	12.70	34.4	5.5	3810		51.2	33.6	2.8	302 400	400 000	72 000	9.5								
BL 1246	LH 2446			4x6						62.7	44.8	4.2	302 400	400 000	82 000	11.8								
BL 1266	LH 2466			6x6						74.5	56.0*	4.2	453 600	600 000	90 000	14.1								
BL 1288	LH 2488			8x8						97.8	78.4*	5.4	604 800	800 000	98 000	18.8								
BL 1423	LH 2823			2x3						38.2	19.2	2.7	191 300	250 000		8.3								
BL 1434	LH 2834			3x4						51.7	32.0	3.6	315 800	375 000		11.6								
BL 1444	LH 2844	1.75	44.45	4x4	14.27	40.8	6.3	4445		58.2	38.4	3.6	382 600	500 000		13.2								
BL 1446	LH 2846			4x6						71.5	51.2	5.4	382 600	500 000		16.4								
BL 1466	LH 2866			6x6						85.0	64.0*	5.4	578 000	750 000		19.7								
BL 1488	LH 2888			8x8						111.7	89.6*	7.2	765 200	1 000 000		25.9								
BL 1623	LH 3223			2x3						42.1	21.3*	3.67	289 100	360 000		11.0								
BL 1634	LH 3234			3x4						57.0	35.5*	4.89	440 400	540 000		15.4								
BL 1644	LH 3244	2.00	50.8	4x4	17.46	47.9	7.0	5080		63.8	42.6*	5.0	578 200	720 000		17.5								
BL 1646	LH 3246			4x6						78.9	56.8*	7.33	578 200	720 000		21.8								
BL 1666	LH 3266			6x6						95.0	73.7*	7.33	867 400	1 080 000		26.2								
BL 1688	LH 3288			8x8						125.6	103.5*	9.78	1 156 400	1 440 000		34.9								

* Please contact Rexnord regarding precision of fit with ISO or ANSI anchors





Rexnord RexHiPro Leaf Chain

Extreme Performance

Rexnord RexHiPro® Leaf Chain has an excellent corrosion resistance and a very high, dynamic and long-term loading capacity. This chain can be used with water and aggressive liquids and still delivers an extremely long and continuous service.

Applications:

- Harbors & docks
- Industrial lifting equipment
- Outside application
- Food & beverage
- Automotive

Excellent corrosion resistance

All the single chain components have a special anti-corrosion coating which makes the resistance intact for over 600 hours (salt spray test conform to ISO 9227). The Rexnord RexHiPro Leaf Chain is resistant to liquids from the automotive industry under VDA 621-412.

High dynamic load

Compared to other coated chains the Rexnord RexHiPro Leaf Chain has a higher dynamic and static loading capacity. And no reduction of ultimate tensile strength.

Traceability with silver label

The silver colored label outer plates have a batch for full and consistent traceability.

CE marking

All Rexnord RexHiPro Leaf Chains have the CE marking because they fulfill the requirements of Machine Directive 2006/42/EC.

Features

- Anti-corrosion coating for all chain components
- Tensile strength and fatigue resistance as for Rexnord RexPro Leaf Chain
- Dimensions in accordance with ISO and ANSI standards
- No process-related hydrogen embrittlement
- Does not contain chromium VI: conforms to Directive 2011/65/EU, RoHS:2011 and Directive 2000/53/EU

Advantages

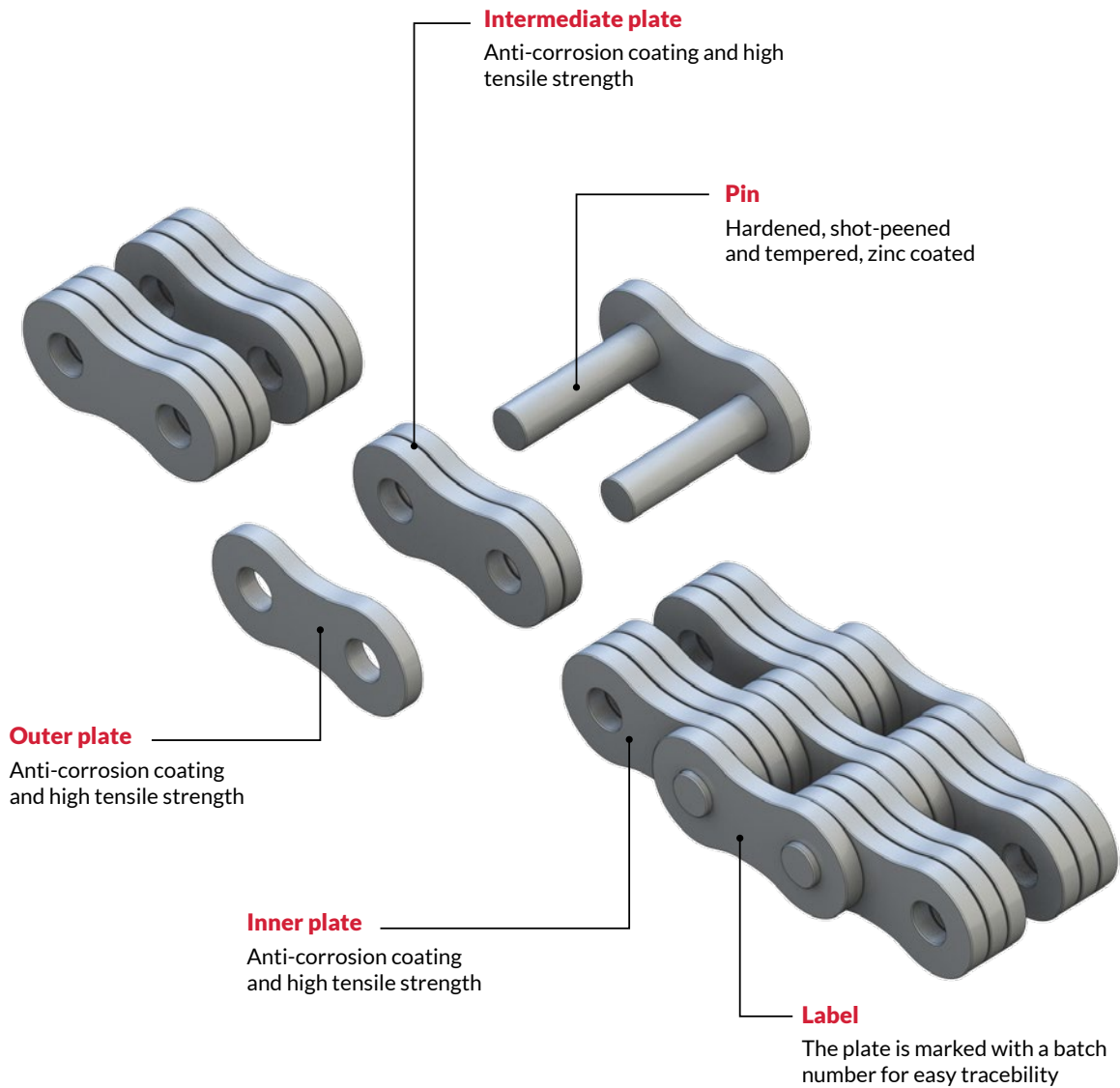
- Excellent resistance to corrosion and wear
- Corrosion resistance for more than 600 hours (salt spray test in accordance with ISO 9227)
- Resistant against liquids from the automotive industry in accordance with VDA 621-412

Lubrication

- Improved protection with Rexnord RexPro Lubrication
- Lubrication with NSF H2 certification, RoHS:2011 compliant for electronics industry
- Operating temperature: - 30° C to + 130° C (special lubrication can expand range to - 40° C to + 250° C)
- Very good surface adhesion; remains drip-resistant even at high temperatures
- Lubrication without heavy metals, Teflon or silicone
- Other special lubricants are available (for example, lubricant with NSF H1 permit)

Rexnord RexHiPro Leaf Chain

Extreme Performance



Loading capacity and wear resistance

- High loading capacity, dynamic and static loads
- Service intervals as for RexPro Leaf Chains
- Long service life



Damp corrosion resistance

- Outstanding corrosion resistance
- Suitable for high humidity and outside applications



Eco-friendly

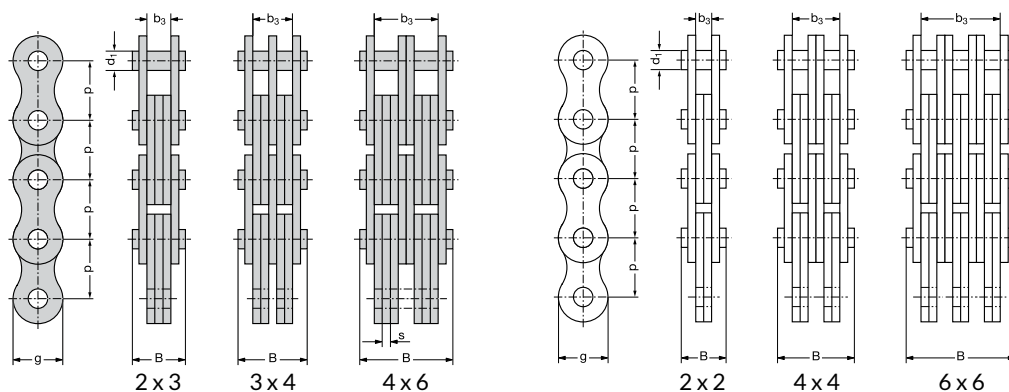
- NSF H2 certification
- RoHS:2011 conformity
- Free of chromium VI

Rexnord RexHiPro Leaf Chain is available in F Series European Standard, BL Heavy and AL Light Series American Standard. In the following table only the BL Heavy Series is shown. For F and AL Series, please contact Rexnord.

BL Heavy Series American Standard – Rexnord RexHiPro Leaf Chain ISO 4347

Chain No.*	ISO chain number		Pitch		Lacing	Pin diameter	Plate depth	Plate thickness	Length over 100 pitches	Pin length	Width between outer plates	Bearing area	Required minimum tensile strength DIN / ISO	Rexnord minimum tensile strength	Fatigue strength	Weight	
			p	p													
			Inch	mm													
					d_1	g max.	s		B max.	b_3 min.	A	FU	FB	FD	q		
					mm	mm	mm	mm	mm	mm	mm	cm ²	N	N	N	kg/m	
BL 523	LH 1023				2 x 3												1.1
BL 534	LH 1034				3 x 4												1.5
BL 544	LH 1044				4 x 4												1.8
BL 546	LH 1046				4 x 6												2.2
BL 566	LH 1066				6 x 6												2.6
BL 588	LH 1088				8 x 8												3.4
BL 622	LH 1222				2 x 2												1.5
BL 623	LH 1223				2 x 3												1.8
BL 634	LH 1234				3 x 4												2.5
BL 644	LH 1244				4 x 4												2.9
BL 646	LH 1246				4 x 6												3.6
BL 666	LH 1266				6 x 6												4.3
BL 822	LH 1622				2 x 2												2.4
BL 823	LH 1623				2 x 3												3.0
BL 834	LH 1634				3 x 4												4.2
BL 844	LH 1644				4 x 4												4.8
BL 846	LH 1646				4 x 6												6.0
BL 866	LH 1666				6 x 6												7.2
BL 888	LH 1688				8 x 8												9.6
BL 1023	LH 2023				2 x 3												4.4
BL 1034	LH 2034				3 x 4												6.2
BL 1044	LH 2044				4 x 4												7.0
BL 1046	LH 2046				4 x 6												8.7
BL 1066	LH 2066				6 x 6												10.5
BL 1088	LH 2088				8 x 8												13.9
BL 1223	LH 2423				2 x 3												6.0
BL 1234	LH 2434				3 x 4												8.3
BL 1244	LH 2444				3 x 4												9.5
BL 1246	LH 2446				4 x 6												11.8
BL 1266	LH 2466				6 x 6												14.1
BL 1288	LH 2488				8 x 8												18.8
BL 1423	LH 2823				2 x 3												8.3
BL 1434	LH 2834				3 x 4												11.6
BL 1444	LH 2844				4 x 4												13.2
BL 1446	LH 2846				4 x 6												16.4
BL 1466	LH 2866				6 x 6												19.7
BL 1488	LH 2888				8 x 8												25.9
BL 1623	LH 3223				2 x 3												11.0
BL 1634	LH 3234				3 x 4												15.4
BL 1644	LH 3244				4 x 4												17.5
BL 1646	LH 3246				4 x 6												21.8
BL 1666	LH 3266				6 x 6												26.2
BL 1688	LH 3288				8 x 8												34.9

* Please contact Rexnord regarding precision of fit with ISO or ANSI anchors





Rexnord RexWM Leaf Chain

Extreme Performance

The Rexnord WM treatment is based on decades of experience. In combination with state of the art technologies we supply an outstanding product for all hoisting applications. Primary used in tooling machines (in German: 'Werkzeug Maschine') carrying the counter weights. The technology behind is still the first choice whenever highest reliability, smooth running and extreme long service lifetime is requested.

Best results under permanent loading

In tooling machines and matchable applications is the highest challenge for a chain to withstand the special requirements of permanent loading and permanent movement without stress relief. The solution is the Rexnord WM treatment for large pitch leaf chains. The special WM treatment enables a quiet and smooth running without chatter marks.

Machine tool RexWM version

The special bonderizing provides a maximum pressure absorptive power and at the same time a high level of oil absorption capacity. Under pressure, the synthetic solid lubricants and the bonderized surface are activated from the first chain loading and assure an excellent wear resistance. The result is a higher allowable bearing area pressure and much longer service lifetime with less or even no relubrication.

Applications:

- Machine tools
- Material handling
- Special purpose machinery
- Drilling machines

Advantages

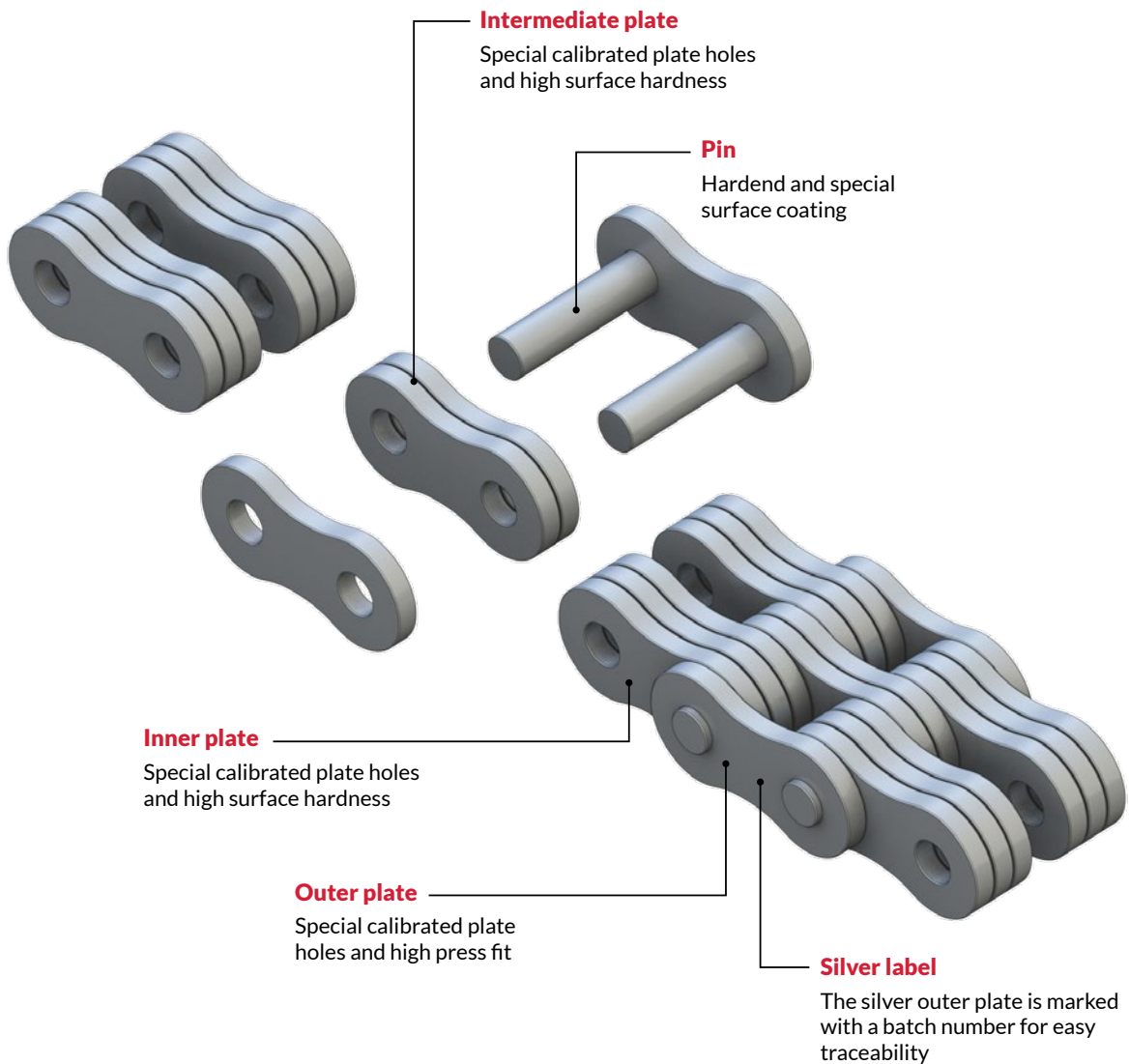
- Excellent suitable for large pitch leaf chains
- Reduced need for maintenance and longer lubrication intervals
- High wear resistance even with minimum lubrication
- Long service life under heavy loads
- Batch number on silver colored plate for traceability
- Eco-friendly: reduced lubricant requirement
- Compatible replacement for all standard chains
- Suitable as leaf chain in sealed applications

Lubrication

- Special long-life lubricant optimized by Rexnord
- Operating temperature from -15° C to +75° C
- No dripping of lubricant
- Water-resistant

Rexnord RexWM Leaf Chain

Extreme Performance



High fatigue resistance

- Special calibrated plate holes
- Shot-peened chain components
- High pre-loading



Improved wear resistance

- Significantly longer relubrication intervals
- Special long-life lubricant optimized by Rexnord
- Extreme long service life time
- High operating reliability



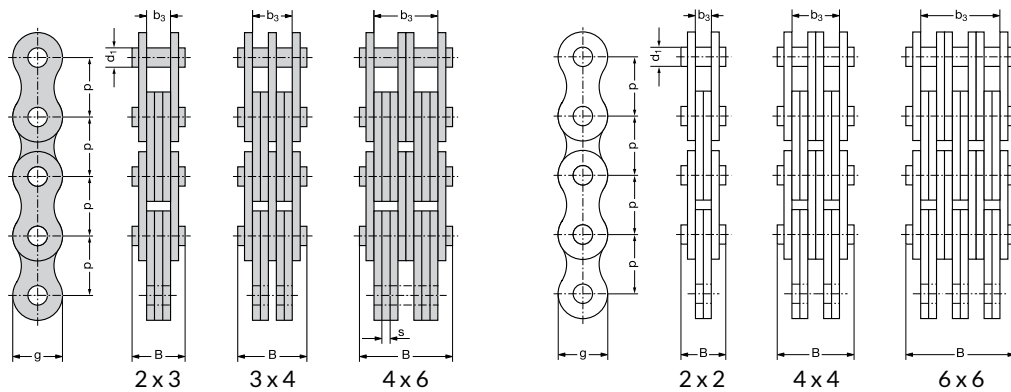
Eco-friendly

- No heavy metals; Teflon- and silicone-free
- Environmental management system conforms to DIN EN ISO 14001
- Free of chromium VI

F Series European Standard - Rexnord RexWM Leaf Chain ISO 4347

Chain Type	ISO chain number		Pitch		Lacing	Pin diameter	Plate depth	Plate thickness	Length over 100 pitches	Pin length	Width between outer plates	Bearing area	Required minimum tensile strength ISO 4347	Rexnord minimum tensile strength	Weight
			p												
			Inch	mm											
		mm	mm	mm	mm	mm	mm	mm	mm	cm ²	N	N	kg/m		
F 31-44	LL 2044				4 x 4					33.7	21.8	1.43	190 000	200 000	4.3
F 31-66	LL 2066	1.25	31.75		6 x 6	10.19	25.7	3.5	3155	48.6	36.6	2.14	285 000	300 000	6.4
F 31-88	LL 2088				8 x 8					63.5	51.4	2.85	380 000	400 000	8.4
F 38-44	LL 2444				4 x 4					46.9	31.2	2.93	340 000	340 000	8.2
F 38-66	LL 2466	1.5	38.1		6 x 6	14.63	33	5	3795	68.3	52.4	4.39	510 000	510 000	12.2
F 38-88	LL 2488				8 x 8					89.7	73.5	5.85	680 000	680 000	16.2
F 44-44	LL 2844				4 x 4					54.8	36.8*	3.82	400 000	430 000	10.4
F 44-66	LL 2866	1.75	44.45		6 x 6	15.90	36	6	4426	80.2	61.4*	5.72	600 000	645 000	15.6
F 44-88	LL 2888				8 x 8					105.4	86.5*	7.63	800 000	860 000	20.8
F 50-44	LL 3244				4 x 4					59.1	39.1	4.49	520 000	520 000	12.8
F 50-66	LL 3266	2	50.8		6 x 6	17.81	41.2	6.3	5055	85.4	65.6	6.73	780 000	780 000	19.1
F 50-88	LL 3288				8 x 8					112.0	92.0	8.98	1040 000	1040 000	25.3
F 63-44	LL 4044				4 x 4					73.1	49.4	7.32	720 000	720 000	17.7
F 63-66	LL 4066	2.5	63.5		6 x 6	22.89	48	8	6320	106.5	82.7	10.99	1080 000	1080 000	26.9
F 63-88	LL 4088				8 x 8					139.9	116.0	14.65	1440 000	1440 000	35.1
F 76-44	LL 4844				4 x 4					90.5	61.4	11.70	1120 000	1120 000	30.2
F 76-66	LL 4866	3	76.2		6 x 6	29.24	62	10	7575	131.4	102.7	17.54	1680 000	1680 000	45.0
F 76-88	LL 4888				8 x 8					172.8	144.0	23.39	2240 000	2240 000	59.8

* Please contact Rexnord regarding precision of fit with ISO anchors





Rexnord RexProX Leaf Chain

Extreme Performance

When specifying and designing our products we strive to achieve the high demands of our customers by providing significantly reduced life-cycle costs and very low maintenance. The Rexnord RexProX® Leaf Chain meets these criteria and is at the same time suitable for applications under extreme conditions.

Optimized chain selection

The smaller and lighter chain design provides the most evenly distribution and load to the pin. Based on an optimized material utilization, an extremely high loading capacity and maximum fatigue strength, it is ideal for heavy-duty drives and lifting purposes. The linear scalability allows an optimum chain choice fitting best to individual requirements.

Significant higher wear life time

Due to a reduced joint stress and a higher wear volume the wear lifetime for this leaf chain is now doubled. This property is completed by an excellent surface adhesion and drip resistance, even at high temperatures.

Features

- Complies with the excellent RexPro quality
- Excellent wear resistance
- High tensile strength
- High fatigue strength
- Optimum fatigue resistance
- New computer-controlled preloading process

Advantages

- For high-performance power transmission applications
- Extremely high impact strength
- Extremely robust, even under difficult conditions

Reduced maintenance

The Rexnord RexPro® Lubrication ensures an excellent protection extending the re-lubrication interval fivefold compared to a standard leaf chain. This not only reduces the maintenance, but also increases productivity and guarantees a dependable operation.

Overall cost saving

As a well specified, high-quality product, this leaf chain lasts many times longer. It requires significantly less in-operation maintenance and saves overall costs in terms of procurement, maintenance, replacement and equipment downtime.

Lubrication

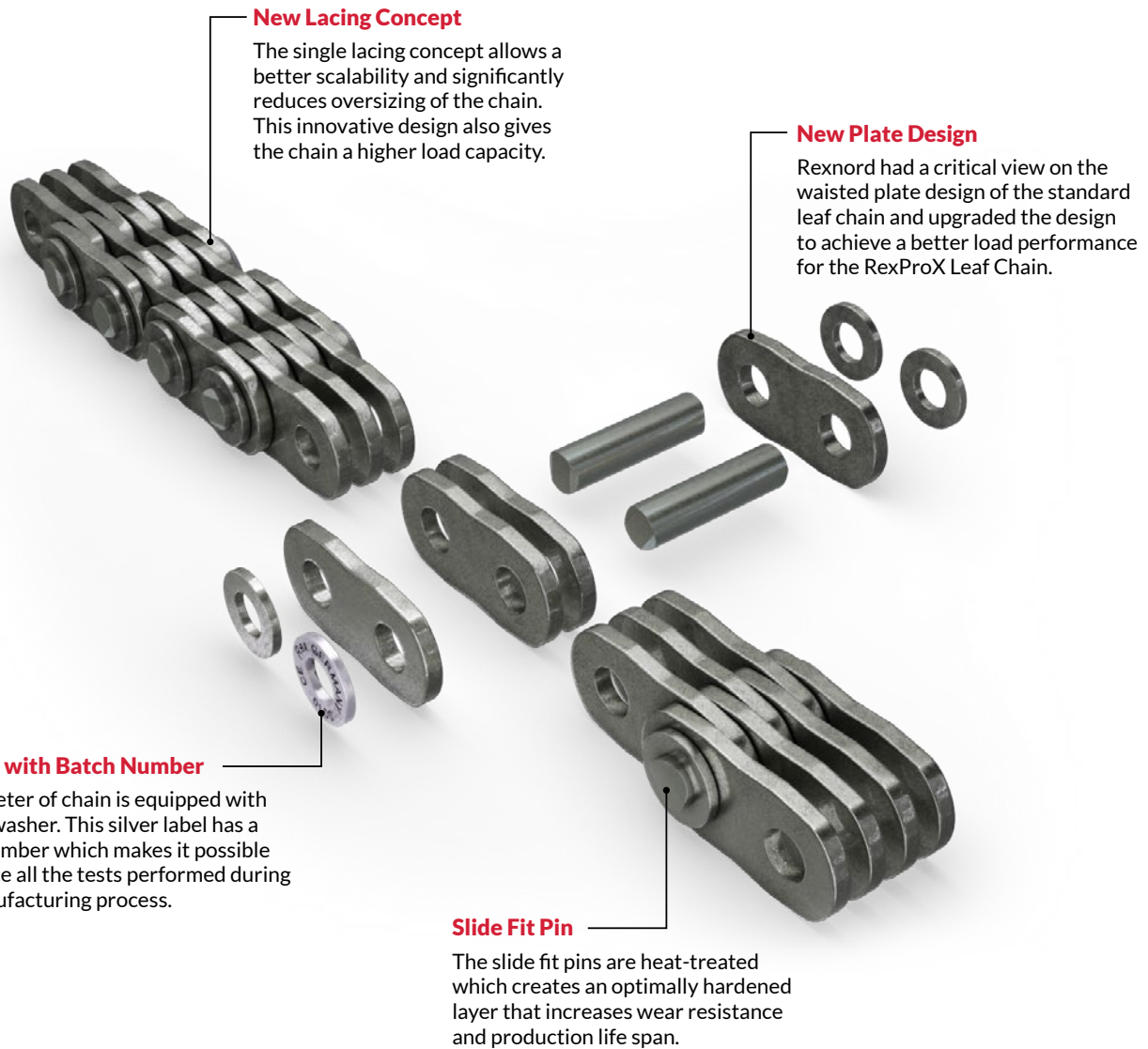
- Improved protection with Rexnord RexPro Lubrication
- Lubrication with NSF H2 certification, RoHS:2011 compliant for electronics industry
- Operating temperature: - 30° C to + 130° C (special lubrication can expand range to - 40° C to + 250° C)
- Very good surface adhesion; remains drip-resistant even at high temperatures
- Lubrication without heavy metals, Telon or silicone
- Other special lubricants are available (for example, lubricant with NSF H1 permit)

Industries Served:

- Material handling
- Telehandlers
- Machine tools
- Drilling machines

Rexnord RexProX Leaf Chain

Extreme Performance



Loading capacity

- High loading capacity
- Outstanding weight performance ratio



Wear resistance

- All-round protection due to Rexnord RexPro lubrication
- Outstanding wear resistance
- Extreme long service life



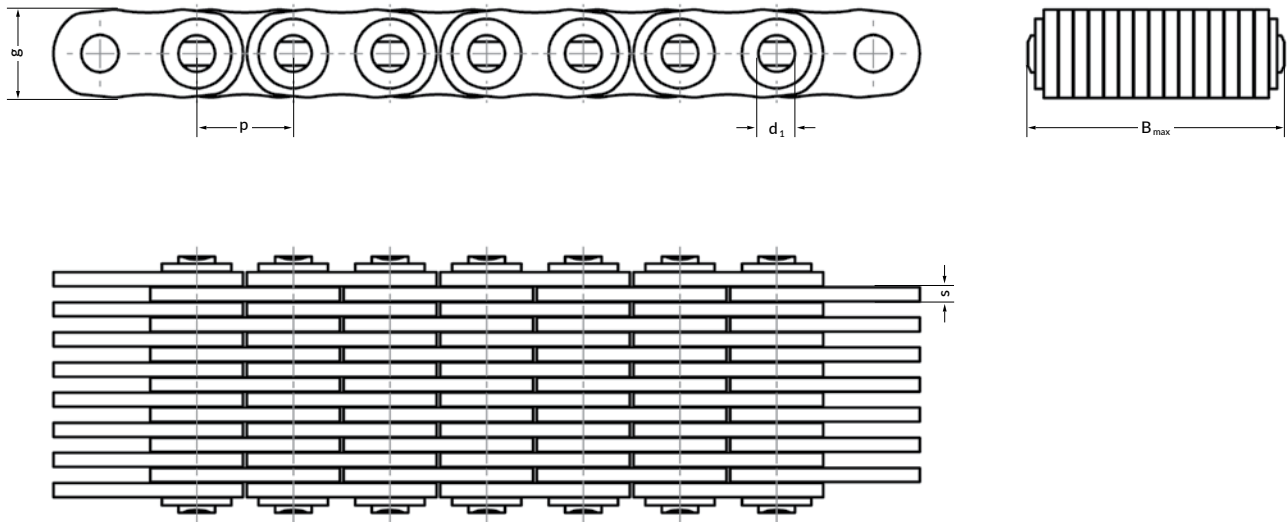
Eco-friendly

- NSF H2 certification
- RoHS:2011 conformity
- Free from chromium VI

CE Rexnord fulfils the requirements of Machine Directive 2006/42/EC

Rexnord RexProX Leaf Chain Dimensions

Rex® 21-15



Rexnord RexProX Leaf Chain

Chain type	Pitch mm	Pin Ø mm	Plate height mm	Plate thickness mm	Overall width mm	Weight kg/m	UTS kN ^①
	P	d ₁	g	s	B _{max}		
Rex 21-5	21	7.92	19	3.1	23.0	2.1	72
Rex 21-7	21	7.92	19	3.1	29.5	2.8	108
Rex 21-9	21	7.92	19	3.1	36.0	3.5	144
Rex 21-11	21	7.92	19	3.1	42.5	4.3	180
Rex 21-13	21	7.92	19	3.1	49.0	5.0	216
Rex 21-15	21	7.92	19	3.1	55.5	5.7	252
Rex 21-17	21	7.92	19	3.1	62.0	6.5	288
Rex 21-19	21	7.92	19	3.1	68.5	7.2	324

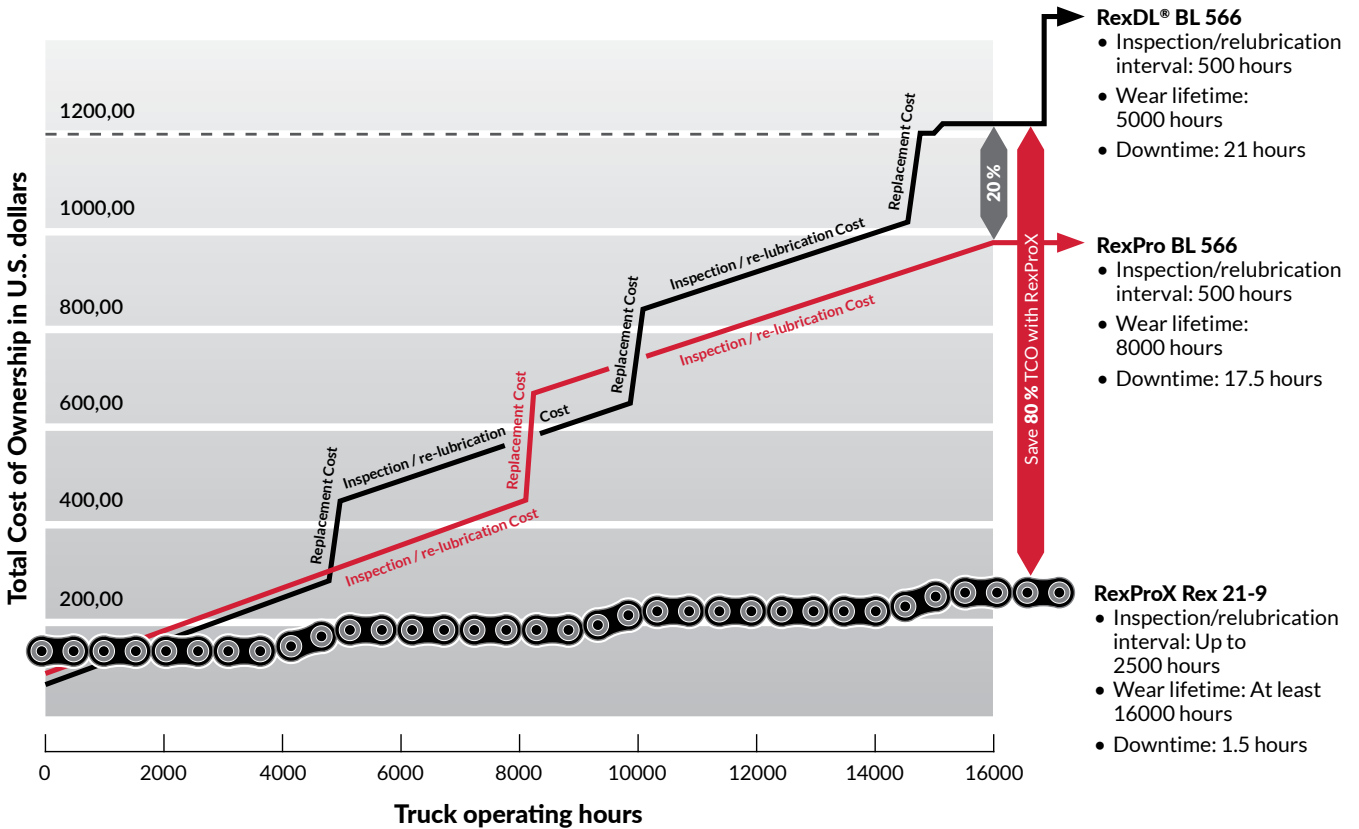
① Ultimate Tensile Strength



Rexnord meets the requirements of Machine Directive 2006/42/EC

Save 80% Total Cost of Ownership with Rexnord RexProX Leaf Chain

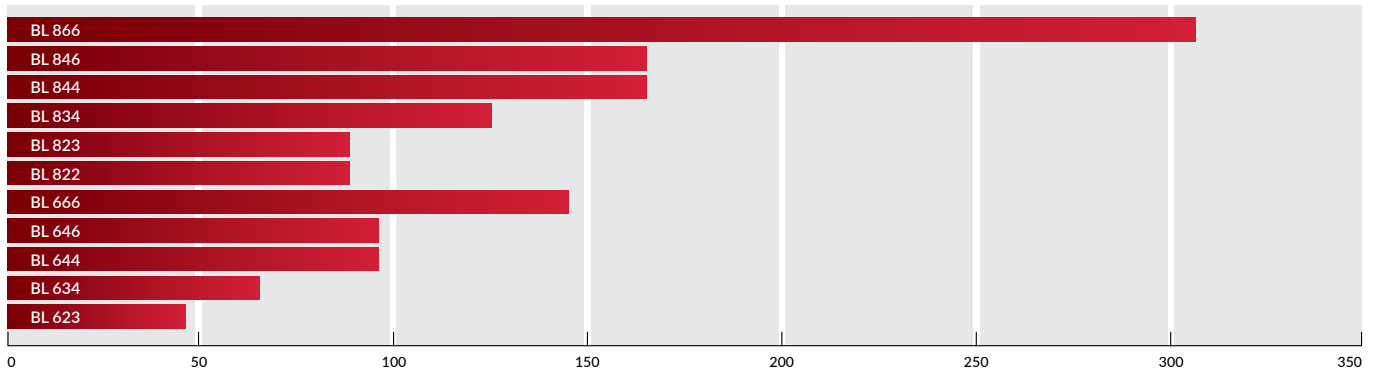
The initial cost, the wear lifetime and the maintenance intervals are the three critical factors that determine the total cost of your chain. With inspection and re-lubrication intervals up to 2500 hours and a doubled wear lifetime, the Rexnord RexProX allows you to save up to 80% on your total cost of ownership.



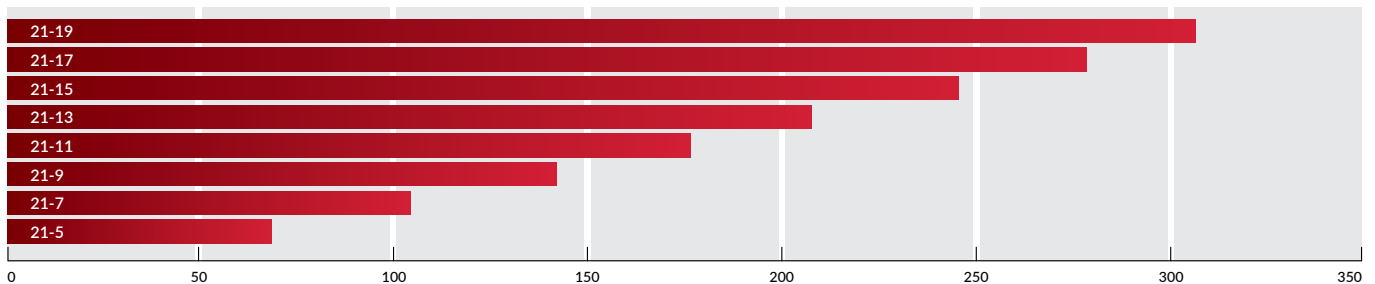
Fit and proper chain choice and scalability

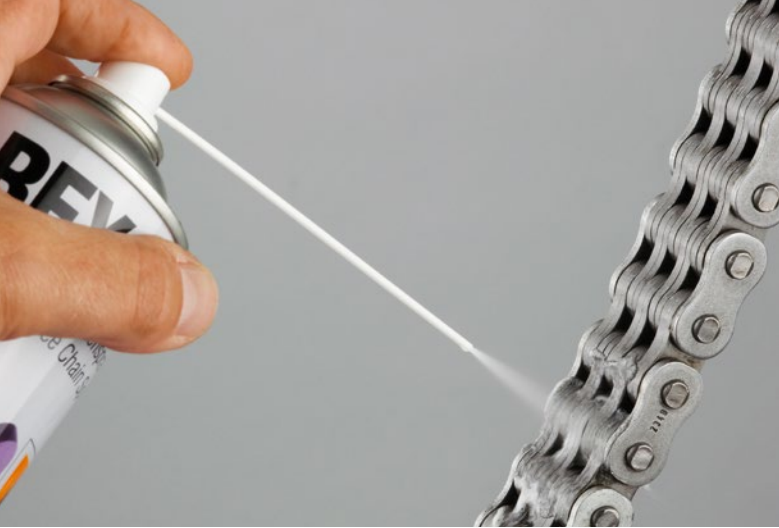
Choosing standardized chains by breaking load means in many cases oversizing. The RexProX Leaf Chain provides linear scalability for optimum chain choice, fitting best to the requirements, while oversizing is significantly reduced.

ISO min breaking load [kN]



RexProX Leaf Chain min breaking load [kN]





Rexnord RexOil

High Performance Chain Spray

Rexnord RexOil makes it possible to maintain and relubricate roller chains and leaf chains simply and effectively in a wide range of applications. RexOil makes the lubrication of chains reliable, economical and environmentally friendly. None of the oils and lubricants used by Rexnord contains silicone or Teflon, and all are distinguished by a low environmental impact (in accordance with DIN EN ISO 14001).

Effective lubrication

The extended spray head grants better accuracy and increased comfort of use without wasting any grease. With its outstanding penetration and lubrication properties, RexOil delivers an outstanding corrosion protection and very good wear resistance.

The right lubrication

With RexOil, Rexnord offers a long-term lubricant for many applications in an extremely wide range of industries.

Longer lubrication intervals

When long-life lubricants are used, relubrication intervals are significantly longer. And in some case, the use of lubricant waxes or compounds containing solid lubricants means that relubrication can be dispensed with altogether.

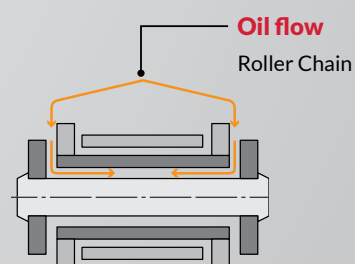
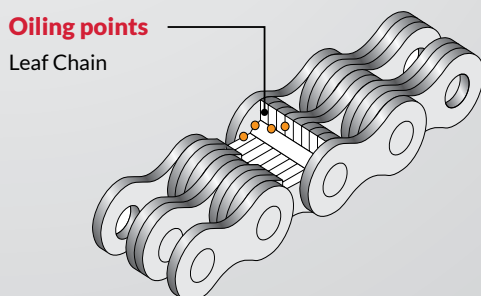
Industries Served:
 Packaging and logistics
 Food and beverages
 Machine construction
 Wood industry
 Agriculture

Features

- Outstanding penetration and lubrication properties
- Ensures removal of residual lubricant
- Displaces water and moisture
- Suitable for temperature ranges from -10°C to +150°C
- Appropriate lubrication guarantees a significantly longer service life than is the case with an unlubricated chain

Advantages

- Effective corrosion protection and high oxidation stability
- Extended spray head for easy, comfortable handling
- Lubricant has NSF H2 certification
- Reliable, environmentally friendly, economical

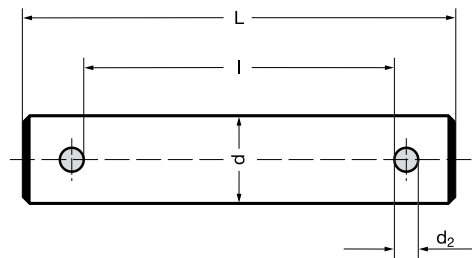
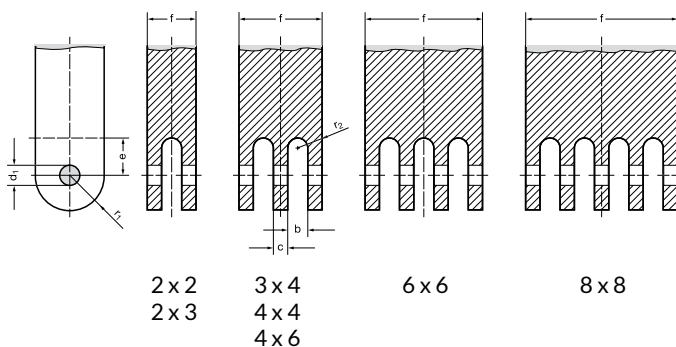


Recommended chain anchor dimensions for connecting leaf chain inner links

Chain No.	Inner link connector dimensions						
	Dimensions in mm						
	f	b	c	d ₁	e	r ₁	r ₂
	max.	min.	max.	D 10	min.	max.	max.
BL 522	12.7	5.0	-				2.0
BL 523	14.9	7.5	-				2.0
BL 534	19.9	5.0	2.4				2.0
BL 544	22.4	5.0	4.8	6.0	11.0	8.0	2.0
BL 546	26.9	7.5	4.8				2.0
BL 566	31.9	5.0	4.8				2.0
BL 588	42.4	5.0	4.8				2.0
BL 623	19.9	10.3	-				5.0
BL 634	26.9	6.8	3.2				3.0
BL 644	29.9	6.8	6.4	8.0	14.0	9.5	3.0
BL 646	36.9	10.3	6.4				3.0
BL 666	42.9	6.8	6.4				3.0
BL 688	56.4	6.8	6.4				3.0
BL 823	24.9	12.8	-				6.0
BL 834	32.9	8.5	4.0				4.0
BL 844	36.9	8.5	8.0	9.6	18.0	12.5	4.0
BL 846	45.9	12.8	8.0				6.0
BL 866	52.9	8.5	8.0				4.0
BL 888	69.4	8.5	8.0				4.0
BL 1023	69.4	15.1	8.0				4.0
BL 1034	39.0	10.0	4.7				5.0
BL 1044	44.0	10.0	9.4	11.2	22.0	15.0	5.0
BL 1046	54.0	15.1	9.4				7.0
BL 1066	63.0	10.0	9.4				5.0
BL 1088	79.7	10.0	9.4				5.0
BL 1223	34.3	17.7	-				8.0
BL 1234	46.0	11.8	5.5				5.0
BL 1244	51.7	11.8	11.0	12.8	26.0	19.0	5.0
BL 1246	63.3	17.7	11.0				8.0
BL 1266	75.1	11.8	11.0				5.0
BL 1288	98.4	11.8	11.0				5.0
BL 1423	38.5	20.1	-				10.0
BL 1434	52.0	13.4	6.3				6.0
BL 1444	58.4	13.4	12.6	14.3	31.0	22.0	6.0
BL 1446	71.5	20.1	12.6				10.0
BL 1466	84.9	13.4	12.6				6.0
BL 1623	42.8	22.5	-				10.0
BL 1634	57.7	15.0	7.1				7.0
BL 1644	65.4	15.0	14.2	17.5	34.0	25.0	7.0
BL 1646	79.6	22.5	14.2				10.0
BL 1666	94.3	15.0	14.2				7.0
BL 1688	123.7	15.0	14.2				7.0

Connecting pin for joining leaf chains to chain anchor

Chain No.	Connecting pin order no.	Connecting pin Dimensions in mm			
		l min.	L max.	d max.	d ₂
BL 522	709 - 355 - 22	12.8	19.4		
BL 523	709 - 355 - 23	15.0	21.6		
BL 534	709 - 355 - 34	20.0	26.6		
BL 544	709 - 355 - 44	22.5	29.1	5.94	2.0
BL 546	709 - 355 - 46	27.0	33.7		
BL 566	709 - 355 - 66	32.0	38.7		
BL 588	709 - 355 - 88	42.5	49.3		
BL 623	709 - 307 - 23	20.0	30.7		
BL 634	709 - 307 - 34	27.0	37.7		
BL 644	709 - 307 - 44	30.0	40.7	7.92	3.2
BL 646	709 - 307 - 46	37.0	47.7		
BL 666	709 - 307 - 66	43.0	53.7		
BL 688	709 - 307 - 88	56.5	67.2		
BL 823	709 - 309 - 23	25.0	35.7		
BL 834	709 - 309 - 34	33.0	43.7		
BL 844	709 - 309 - 44	37.0	47.7	9.53	3.2
BL 846	709 - 309 - 46	46.0	56.7		
BL 866	709 - 309 - 66	53.0	63.7		
BL 888	709 - 309 - 88	69.5	80.3		
BL 1023	709 - 311 - 23	30.0	42.4		
BL 1034	709 - 311 - 34	39.2	51.6		
BL 1044	709 - 311 - 44	44.2	56.6	11.1	4.0
BL 1046	709 - 311 - 46	54.2	66.6		
BL 1066	709 - 311 - 66	63.2	75.6		
BL 1088	709 - 311 - 88	79.9	92.4		
BL 1223	709 - 312 - 23	34.5	46.9		
BL 1234	709 - 312 - 34	46.2	58.6		
BL 1244	709 - 312 - 44	51.9	64.4	12.7	4.0
BL 1246	709 - 312 - 46	63.5	76.0		
BL 1266	709 - 312 - 66	75.3	87.8		
BL 1288	709 - 312 - 88	98.6	111.1		
BL 1423	709 - 314 - 23	38.7	51.1		
BL 1434	709 - 314 - 34	52.2	64.6		
BL 1444	709 - 314 - 44	58.6	71.1	14.27	4.0
BL 1446	709 - 314 - 46	71.7	84.2		
BL 1466	709 - 314 - 66	85.1	97.7		
BL 1623	709 - 317 - 23	43.1	60.6		
BL 1634	709 - 317 - 34	58.0	75.5		
BL 1644	709 - 317 - 44	65.7	82.9	17.46	5.0
BL 1646	709 - 317 - 46	79.9	97.4		
BL 1666	709 - 317 - 66	94.6	112.2		
BL 1688	709 - 317 - 88	124.0	141.6		



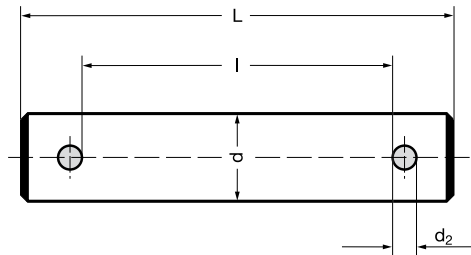
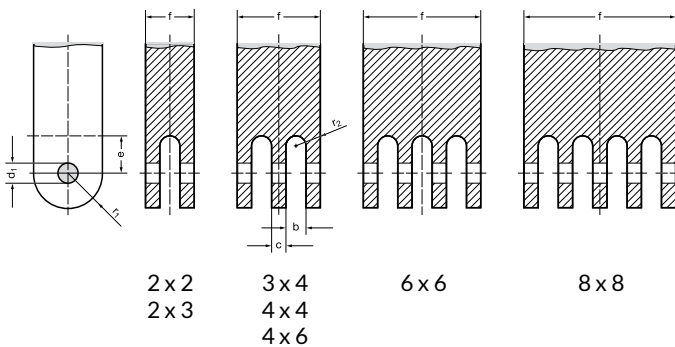
All pins are fitted with 2 cotters and – from BL 1234 and F 38 upwards – with 2 additional washers.

**Recommended chain anchor dimensions
for connecting leaf chain inner links**

Chain No.	Inner link connector dimensions Dimensions in mm						
	f	b	c	d ₁	e	r ₁	r ₂
	max.	min.	max.	D 10	min.	max.	max.
F 15-44	14.9						
F 15-66	21.9	3.5	3.0	5.1	8.5	8.0	1.7
F 19-44	17.5						
F 19-66	24.6	4.1	3.6	5.75	10.0	9.5	1.7
F 19V-44	22.9						
F 19V-66	32.9	5.2	4.7	6.6	10.0	10.5	2.0
F 25-44	27.9						
F 25-66	40.9	6.7	6.2	8.3	13.5	13.0	3.0
F 25-88	53.9						
F 31-44	32.9						
F 31-68	46.9	7.5	7.0	10.2	17.0	16.5	3.5
F 31-88	61.9						
F 38-44	48.0						
F 38-66	69.0	11.0	10.0	14.7	22.0	20.0	5.0
F 38-88	90.0						
F 44-22	29.5						
F 44-44	54.8						
F 44-66	80.0	13.0	12.0	16.0	25.0	24.0	6.0
F 44-88	105.8						
F 50-22	34.2						
F 50-44	59.7						
F 50-66	86.2	13.6	12.6	17.9	28.0	27.0	6.0
F 50-88	113.7						
F 63-22	39.6						
F 63-44	73.0						
F 63-66	106.3	17.0	16.0	23.0	35.0	35.0	8.0
F 63-88	139.8						
F 76-22	50.2						
F 76-44	91.2						
F 76-66	133.2	21.0	20.0	29.3	45.0	40.0	10.0
F 76-88	173.9						

**Connecting pin for attaching
leaf chains to chain anchor**

Chain No.	Connecting pin order no.	Connecting pin dimensions Dimensions in mm			
		l min.	L max.	d max.	d ₂
F 15-44	709-205-44	15.0	21.1		
F 15-66	709-205-66	22.0	28.2	5.08	1.6
F 19-44	709-405-44	17.6	25.5		
F 19-66	709-405-66	24.7	32.7	5.72	2.0
F 19V-44	709 - 206 - 44	23.0	30.2		
F 19V-66	709 - 206 - 66	33.0	40.3	6.5	2.0
F 25-44	709-208-44	28.0	38.7		
F 25-66	709-208-66	41.0	51.7	8.28	3.2
F 25-88	709-208-88	54.0	64.7		
F 31-44	709-210-44	33.0	43.7		
F 31-68	709-210-66	47.0	57.7	10.19	3.2
F 31-88	709-210-88	62.0	72.7		
F 38-44	709-214-44	48.2	60.6		
F 38-66	709-214-66	69.2	81.6	14.63	4.0
F 38-88	709-214-88	90.2	102.6		
F 44-22	709-215-22	29.7	42.1		
F 44-44	709-215-44	55.0	67.5		
F 44-66	709-215-66	80.2	92.7	15.9	4.0
F 44-88	709-215-88	106.0	118.5		
F 50-22	709-217-22	34.4	51.9		
F 50-44	709-217-44	59.9	77.5		
F 50-66	709-217-66	86.4	104.0	17.81	5.0
F 50-88	709-217-88	113.9	131.5		
F 63-22	709-222-22	39.9	60.8		
F 63-44	709-222-44	73.3	94.3		
F 63-66	709-222-66	106.6	127.6	22.89	6.3
F 63-88	709-222-88	140.1	161.1		
F 76-22	709-229-22	50.5	71.5		
F 76-44	709-229-44	91.5	112.5		
F 76-66	709-229-66	133.5	154.5	29.23	6.3
F 76-88	709-229-88	174.2	195.2		



All pins are fitted with 2 cotters and - from BL 1234 and F 38 upwards - with 2 additional washers.

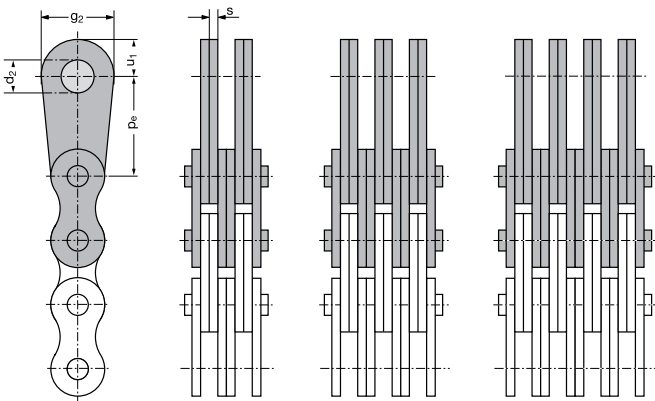
Leaf chain anchoring with end links

Chain No.	End link order no.		Dimensions in mm				
	IEG	AEG	Pe	d ² A11	g ₂	s	u ₁
F 15 - 44	170 - 115 - 44	45	20	8	18.0	1.5	11.0
F 15 - 66	170 - 115 - 66	65					
F 19 - 44	170 - 119 - 44	—	25	10	19.8	1.8	11.2
F 19 - 66	170 - 119 - 66	—					
F 19V - 44	170 - 120 - 44	45	25	10	19.8	1.8	11.2
F 19V - 66	170 - 120 - 66	65					
F 25 - 44	170 - 124 - 44	45	30	12	25.0	3.0	15.0
F 25 - 66	170 - 124 - 66	65					
F 25 - 88	170 - 124 - 88	85					
F 31 - 44	170 - 131 - 44	45	50	18	40.0	3.5	25.0
F 31 - 66	170 - 131 - 66	65					
F 31 - 88	170 - 131 - 88	85					
F 38 - 44	170 - 138 - 44	45	65	24	50.0	5.0	29.0
F 38 - 66	170 - 138 - 66	65					
F 38 - 88	170 - 138 - 88	85					
F 44 - 22	170 - 144 - 22	25	80	28	60.0	6.0	32.0
F 44 - 44	170 - 144 - 44	45					
F 44 - 66	170 - 144 - 66	65					
F 50 - 22	170 - 150 - 22	25	90	32	70.0	6.3	43.0
F 50 - 88	170 - 150 - 88	85					
F 63 - 44	170 - 163 - 44	45	100	38	80.0	8.0	46.5
F 63 - 66	170 - 163 - 66	65					

End links are available as inner and outer links. Ordering example for end links to fit leaf chain F 38-44:

- a) as IEG (inner end link): 170-138-44
- b) as AEG (outer end link): 170-138-45

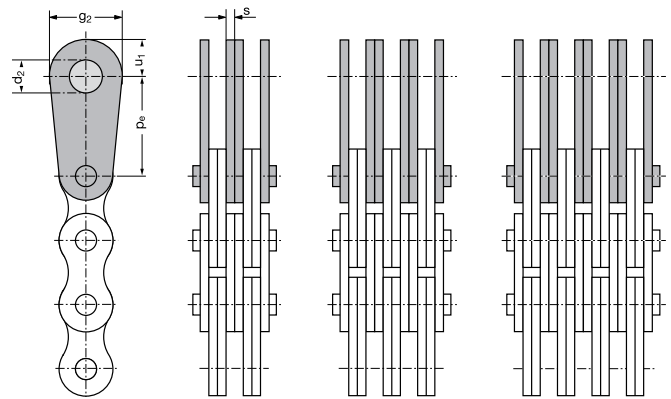
End links as inner links (IEG)



Scope of delivery:

End links (pear-shaped) along with leaf chain outer link supplied as a complete ready-to-rivet sub-assembly or assembled to chain.

End links as outer links (AEG)



Scope of delivery:

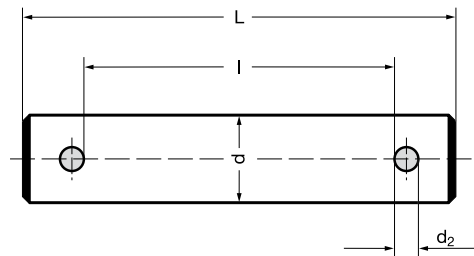
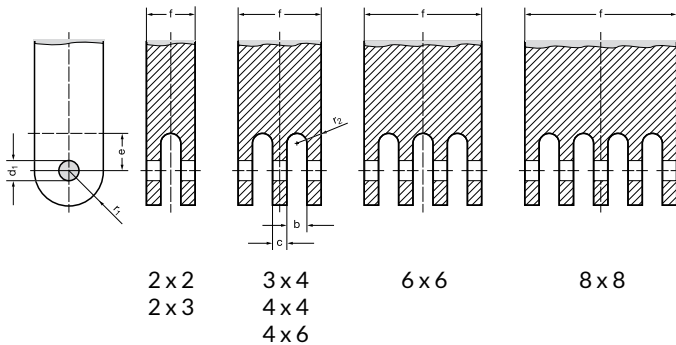
End links (pear-shaped) and matching ready-to-rivet pin or assembled to chain.

Recommended chain anchor dimensions for connecting leaf chain inner links

Chain No.	Inner link connector dimensions Dimensions in mm						
	f	b	c	d ₁	e	r ₁	r ₂
	max.	min.	max.	D 10	min.	max.	max.
AL 522	10.7	4.2	-				2.0
AL 544	18.9	4.2	4.0	5.1	9.0	6.5	2.0
AL 566	26.9	4.2	4.0				2.0
AL 588	35.4	4.2	4.0				2.0
AL 622	12.7	5.0	-				2.0
AL 644	22.4	5.0	4.8	6.0	11.0	8.0	2.0
AL 666	31.9	5.0	4.8				2.0
AL 688	42.4	5.0	4.8				2.0
AL 844	29.9	6.8	6.4				3.0
AL 866	42.9	6.8	6.4	8.0	14.0	9.5	3.0
AL 888	56.4	6.8	6.4				3.0
AL 1044	36.9	8.5	8.0				4.0
AL 1066	52.9	8.5	8.0	9.6	18.0	12.5	4.0
AL 1088	69.4	8.5	8.0				4.0
AL 1244	44.0	10.0	9.4				5.0
AL 1266	63.0	10.0	9.4	11.2	22.0	15.0	5.0
AL 1288	79.7	10.0	9.4				5.0
AL 1444	51.7	11.8	11.0				5.0
AL 1466	75.1	11.8	11.0	12.8	26.0	19.0	5.0
AL 1488	98.4	11.8	11.0				5.0
AL 1644	58.4	13.4	12.6	14.3	31.0	22.0	6.0
AL 1666	84.9	13.4	12.6				6.0

Connecting pin for attaching leaf chains to chain anchor

Chain No.	Connecting pin order no.	Connecting pin dimensions Dimensions in mm			
		l min.	L max.	d max.	d ₂
AL 522	709 - 305 - 22	10.8	17.0		
AL 544	709 - 305 - 44	19.0	25.2	5.08	1.6
AL 566	709 - 305 - 66	27.0	33.3		
AL 588	709 - 305 - 88	35.5	41.8		
AL 622	709 - 355 - 22	12.8	19.4		
AL 644	709 - 355 - 44	22.5	29.1	5.94	2.0
AL 666	709 - 355 - 66	32.0	38.7		
AL 688	709 - 355 - 88	42.5	49.3		
AL 844	709 - 307 - 44	30.0	40.7		
AL 866	709 - 307 - 66	43.0	53.7	7.92	3.2
AL 888	709 - 307 - 88	56.5	67.2		
AL 1044	709 - 309 - 44	37.0	47.7		
AL 1066	709 - 309 - 66	53.0	63.7	9.53	3.2
AL 1088	709 - 309 - 88	69.5	80.3		
AL 1244	709 - 311 - 44	44.2	56.6		
AL 1266	709 - 311 - 66	63.2	75.6	11.1	4.0
AL 1288	709 - 311 - 88	79.9	92.4		
AL 1444	709 - 312 - 44	50.0	64.4		
AL 1466	709 - 312 - 66	75.3	87.8	12.7	4.0
AL 1488	709 - 312 - 88	98.6	111.1		
AL 1644	709 - 314 - 44	58.6	71.1	14.27	4.0
AL 1666	709 - 314 - 66	85.1	97.7		



All pins are fitted with 2 cotters and – from BL 1234 and F 38 upwards – with 2 additional washers.

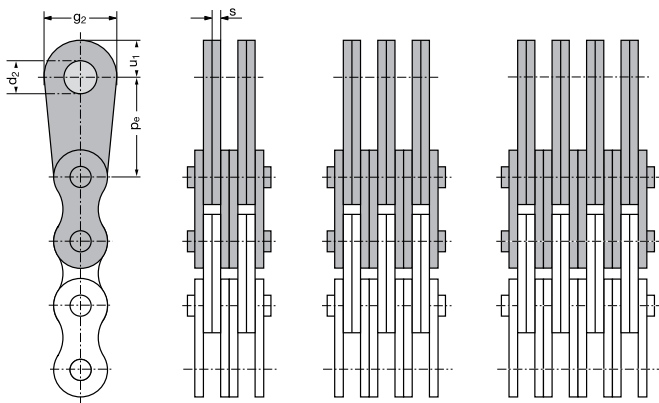
Leaf chain anchoring with end links

Chain No.	End link order no.		Dimensions in mm				
	IEG	AEG	Pe	d ₂ A11	g ₂	s	u ₁
AL 644	170 - 118 - 44	45	25	10	19.8	2.4	11.2
AL 666	170 - 118 - 66	65					
AL 688	170 - 118 - 88	85					
AL 1044	170 - 130 - 44	45	40	14	30.0	4.0	18.0
AL 1066	170 - 130 - 66	65					

End links are available as inner and outer links. Ordering example for end links to fit leaf chain AL 644:

a) as IEG (inner end link): 170-118-44 b) as AEG (outer end link): 170-118-45

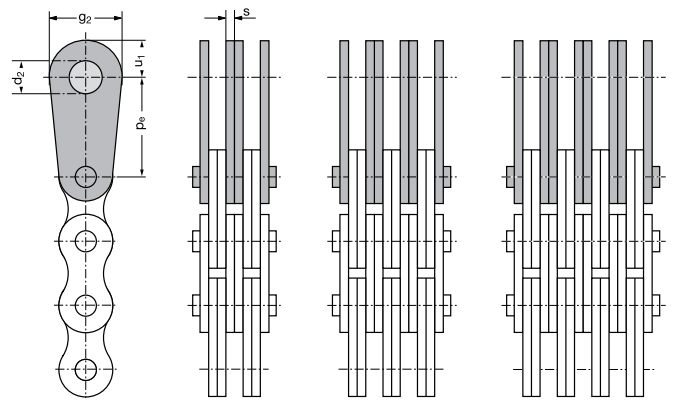
End links as inner links (IEG)



Scope of delivery:

End links (pear-shaped) along with leaf chain outer link supplied as a complete ready-to-riquet sub-assembly or assembled to chain.

End links as outer links (AEG)



Scope of delivery:

End links (pear-shaped) and matching ready-to-riquet pin or assembled to chain.



Overview of Rexnord Leaf Chain Portfolio

Extreme Performance Leaf Chain

Chain	Static loading	Dynamic loading	Loading capacity	Wear resistance	Acid corrosion resistance	Damp corrosion resistance	Eco-friendly	Ex-Works Lubrication	Linear scalability
RexHiPro® Leaf Chain								VSK001	
Rex Athletic® Leaf Chain								VSK010	
RexWM® Leaf Chain								VSK010	
RexProX Leaf Chain								VSK001	

High Performance Leaf Chain

Chain	Static loading	Dynamic loading	Loading capacity	Wear resistance	Acid corrosion resistance	Damp corrosion resistance	Eco-friendly	Ex-Works Lubrication	Linear scalability
RexPro Leaf Chain								VSK001	

Approved Performance Leaf Chain

Chain	Static loading	Dynamic loading	Loading capacity	Wear resistance	Acid corrosion resistance	Damp corrosion resistance	Eco-friendly	Ex-Works Lubrication	Linear scalability
RexDL Leaf Chain									

Symbol Key

- Loading capacity
- Damp corrosion resistance
- Acid corrosion resistance
- Wear resistance
- Eco-friendly
- Linear scalability

ALL AROUND
THE GLOBE,

CUSTOMERS TRUST
OUR PROVEN BRANDS.

WHY CHOOSE REXNORD?

When it comes to providing highly engineered products that improve productivity and efficiency for industrial applications worldwide, Rexnord is the most reliable in the industry. Commitment to customer satisfaction and superior value extend across every business function.

Delivering Lowest Total Cost of Ownership

The highest quality products are designed to help prevent equipment downtime and increase productivity and dependable operation.

Valuable Expertise

An extensive product offering is accompanied by global sales specialists, customer service and maintenance support teams, available anytime.

Solutions to Enhance Ease of Doing Business

Commitment to operational excellence ensures the right products at the right place at the right time.